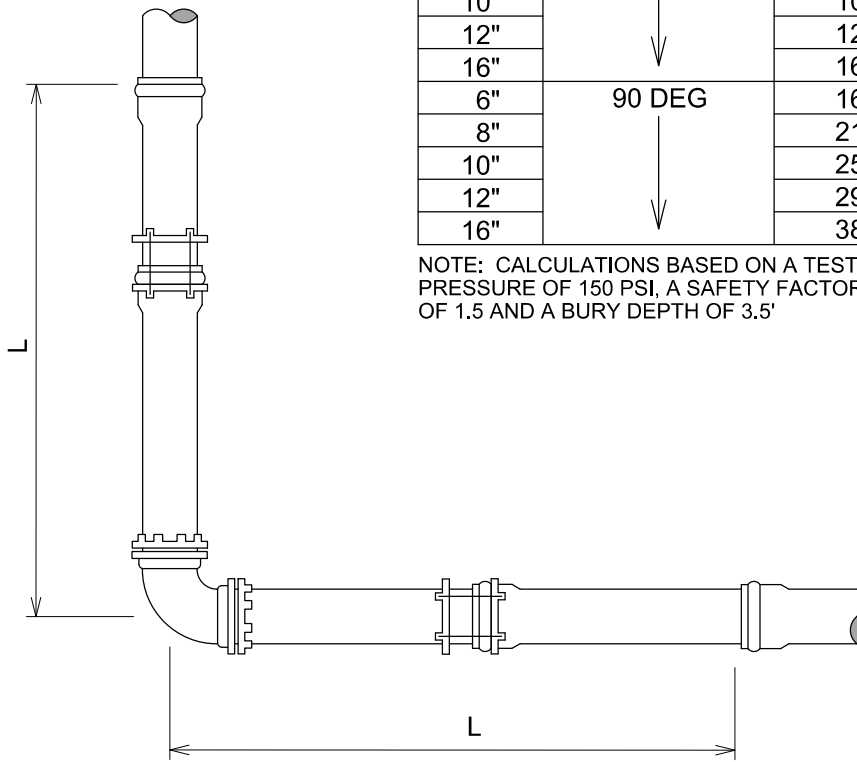


GENERAL NOTES

1. ALL JOINTS WITHIN DISTANCE 'L' OF A HORIZONTAL BEND SHALL BE RESTRAINED USING AN APPROVED MECHANICAL RESTRAINT SYSTEM.



HORIZONTAL BENDS

PIPE SIZE	BEND	'L' PVC PIPE	'L' D.I. PIPE W/ POLY
6"	11-1/4 DEG ↓	2'	2'
8"		2'	2'
10"		3'	3'
12"		3'	3'
16"		4'	4'
6"	22-1/2 DEG ↓	3'	3'
8"		4'	5'
10"		5'	6'
12"		6'	7'
16"		8'	9'
6"	45 DEG ↓	6'	7'
8"		9'	10'
10"		10'	12'
12"		12'	14'
16"		16'	18'
6"	90 DEG ↓	16'	18'
8"		21'	23'
10"		25'	28'
12"		29'	33'
16"		38'	43'

NOTE: CALCULATIONS BASED ON A TEST PRESSURE OF 150 PSI, A SAFETY FACTOR OF 1.5 AND A BURY DEPTH OF 3.5'



THRUST RESTRAINT (HORIZONTAL BENDS)

STANDARD CONSTRUCTION DETAILS

DATE: 07/20/21

REVISED
DATE: 07/20/21

WTR - 2